

**Model M-944**  
**Model M-944HP**

# **ADG**

**AUTOMOTIVE SERVICE EQUIPMENT**  
*EXCELLENCE BY DESIGN*



M-944HP Shown  
with optional Super RM  
and wheel lift

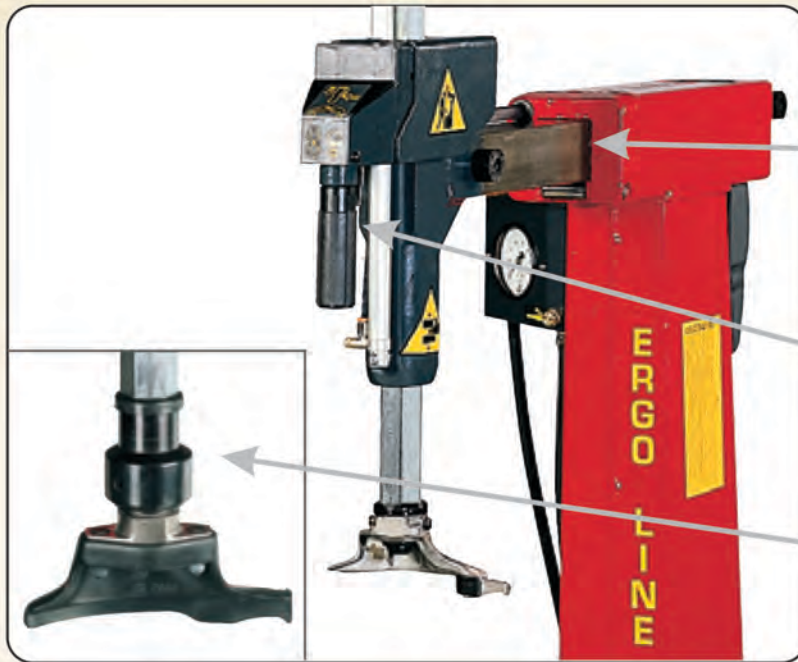
**Fully  
Automatic  
Pneumatic  
Tilt Tower  
designed  
for Heavy  
Volume Use**

Professional Wheel Service equipment manufactured by



Distributed and Supported Exclusively by the members of The Automotive Distributions Group, Inc.

**[www.ADGEquipment.com](http://www.ADGEquipment.com) | 800-497-0009**



- Horizontally sliding mount/demount head supported by oversized 60mm x 60mm adjustable slideways for greater torsional rigidity to handle maximum vertical forces.
- Fast and simple pistol grip activator locks horizontal slideway and vertical hex shaft holding the mount/demount head.
- Optional bayonet style quick release coupling allows for fast interchanging of mount/demount head styles (plastic, motorcycle, etc).

- M-944 is equipped with adjustable clamping capacity. Adjust movement to maximum only when needed, saves wear and tear when changing smaller rim diameters.

Simply spin the clamp guide shaft 180 degrees to increase the outside clamping capacity to 24" rim diameter.



Right side mounted SRM300 (model M-944HP only) features :

- lifting disc for holding tire up.
- roller for remounting stiff beads.
- pivoting bead depressor arm to hold bead down in the remount cycle preventing premature reseating.
- All operated from a simple joystick control panel.

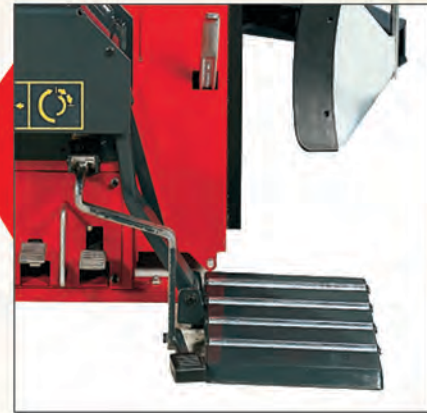


- Optional Airtronic Electronic Inflation provides automatic programmable tire inflation. Simply enter the pressure desired and the M-944 does the rest. Available in machine or wall mount models.



M-944HP Shown with optional Super RM

- Optional foot pedal operated pneumatic wheel lift raises heavy tire/wheel combinations to the turntable eliminating risk of back strain injuries.



## Multiple Clamping Options

- Standard adjustable outside clamping.
- Optional clamping adapters for 26" rims and Motorcycles.



## Variable speed Turntable

- 220V high torque turntable operates as low as 6 rpm or as fast as 15 rpm on demand.
- Slow for high torque tasks and fast for low torque tasks, save time and effort.



## Standard Accessories



Water Separator  
and air oiler



Inflation  
monitor  
gage



Bead Breaker  
blade cover



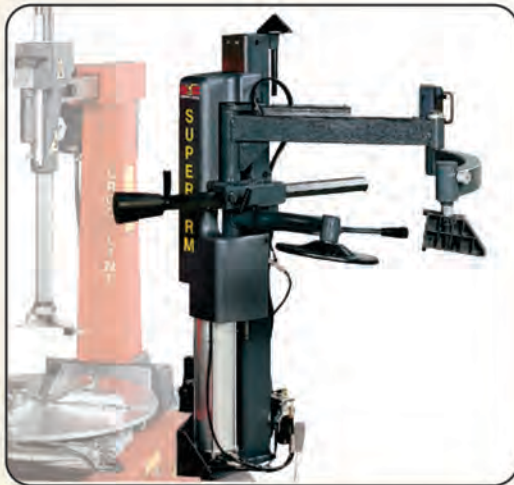
Turntable clamp protectors



Steel tire bar  
and protective sleeve



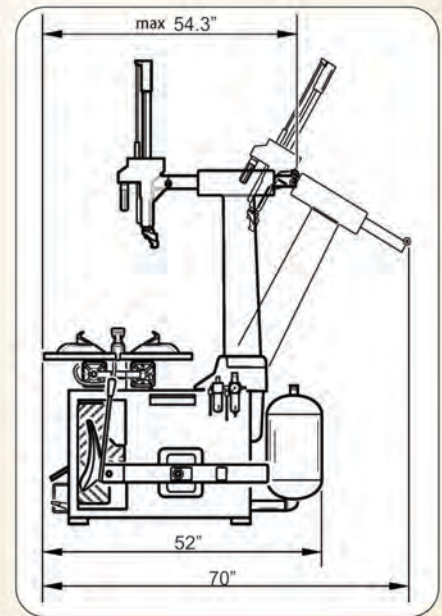
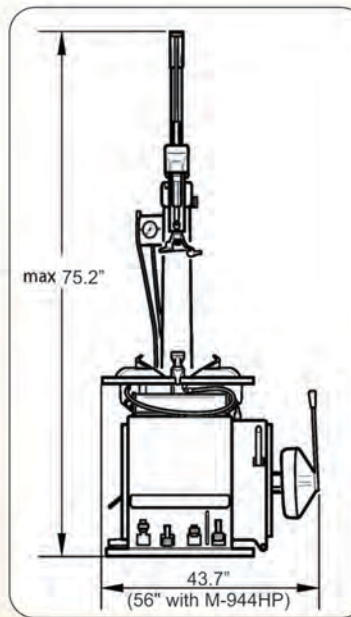
Lubrication brush



Optional SUPER RM bead assist tool recommended for use with Run Flat design tires.

## Technical Specifications

	M-944
Table top clamping capacity (inside)	13" - 26"
Table top clamping capacity (outside)	10" - 24"
Bead breaker pressure	5,000 ft/lbs
Bead breaker opening	15"
Max. tire diameter	40.5"
Max. tire width	14"
Wheel width	3.5" to 13"
Turntable torque	1200 Nm
Clamp rotation speed, 2 speed motor	6-15 rpm
electric 2 speed turntable motor	220V 60Hz 1 Phase



Distributed by