

# CL Challenger Lifts



Versymmetric®  
**Plus**

**2 Lifts  
in One™**



**Model#: CL10V3**

Versymmetric® Plus 2-Post Lift

10,000 lb. capacity

(shown with optional accessories)



**Model#: CL10V3-DPC**

Versymmetric® Plus 2-Post Lift with

Dual Pendant Controls

10,000 lb. capacity  
(shown with optional accessories)



**Model#: CL10V3-QC**

Versymmetric® Plus 2-Post Lift with

Quick Cycle

10,000 lb. capacity  
(shown with optional accessories)



**Model#: CL10-XP9**

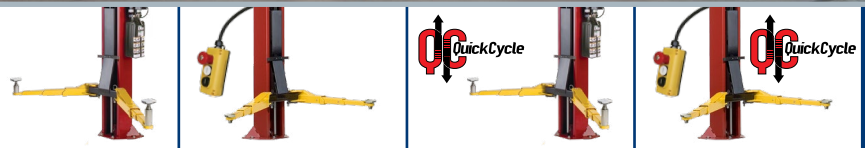
2-Post Lift with Drive-on Style Pad

10,000 lb. capacity

## CL10series

Service more vehicles and increase your bottom line with the CL10series two post auto lifts. Its exclusive *Versymmetric® Technology* provides the versatility to safely lift vehicles symmetrically or asymmetrically within the same service bay.

The CL10series two post lifts offers several configurations, based on your service application, you can have **your lift your way**. Pick from our industry first **directSPOT™** 3-stage front arm and 3-stage rear arm design, drive-on pad style, Quick Cycle™ technology, and adjustable height and width options. Also color-match your lift and create a show room like appearance in your service facility. CL10series two post automotive lifts are the best choice for any automotive service professional.



Model Number	CL10V3	CL10V3-DPC	CL10V3-QC	CL10V3-DPC-QC
Lifting Capacity*	10,000 lb. (4535kg)			
A Rise Height <sup>1</sup>	74 <sup>1</sup> / <sub>8</sub> " (1908mm)			
B Column Height	Standard 11' 8" (3556mm)   2' Ext. 13' 8" (4166mm)   3' Ext. 14' 8" (4470mm)			
C Cylinder Overall (Full Stroke)	11' 11" (3632mm)			
D Adjustable Width Overall	11' 6 <sup>1</sup> / <sub>2</sub> " / 11' 11" (3518mm / 3632mm)			
E Drive-Thru Clearance <sup>2</sup>	100" / 104 <sup>1</sup> / <sub>2</sub> " (2540mm / 2654mm)			
F Floor to Overhead Switch <sup>2</sup>	Standard 134 <sup>1</sup> / <sub>2</sub> " (3416mm)   2' Ext. 158 <sup>1</sup> / <sub>2</sub> " (4026mm)   3' Ext. 170 <sup>1</sup> / <sub>2</sub> " (4331mm)			
G Front Arm Reach (Min./Max.)	Min. 19 <sup>13</sup> / <sub>16</sub> " / Max. 42" (503mm / 1067mm)			
H Rear Arm Reach (Min./Max.)	Min. 37 <sup>5</sup> / <sub>8</sub> " / Max. 60" (956mm / 1524mm)			
I Screw Pad Height <sup>3</sup>	Min. 3 <sup>7</sup> / <sub>8</sub> " - Max. 6 <sup>1</sup> / <sub>8</sub> " (98mm / 156mm)			
J Inside Columns <sup>2</sup>	110" / 114 <sup>1</sup> / <sub>2</sub> " (2794mm / 2908mm)			
K Low Lock Height	12" (305mm) Net Rise			
Motor	2HP	2HP	3HP	3HP
Voltage	208v-230v (Single Phase Std.) <sup>4</sup>			
Speed of Rise	48 Sec.	48 Sec.	27 Sec. (approximate)	27 Sec. (approximate)
Max. Load Per Arm	2,500 lb. (1134kg)			
Ceiling Height Required	Standard 12' (3658mm)   2' Ext. 13' 9" (4191mm)   3' Ext. 14' 9" (4496mm)			

\*Lifting capacity ratings are based on loads equally distributed on all four arms. <sup>1</sup> Rise height is measured with adjustable screw pads in highest position. <sup>2</sup> Specifications are listed with lift at maximum width and/or height settings. <sup>3</sup> Specifications are listed without rubber pad, for measurements with rubber pad add 1/4" (6mm). <sup>4</sup> Optional 3 phase electrical also available, please specify at time of order. † Optional frame engaging adapter (10314 or 10318) are REQUIRED when lifting vehicles with frame construction. Standard lift colors are Red and Blue. Optional colors available

### Optional Accessories

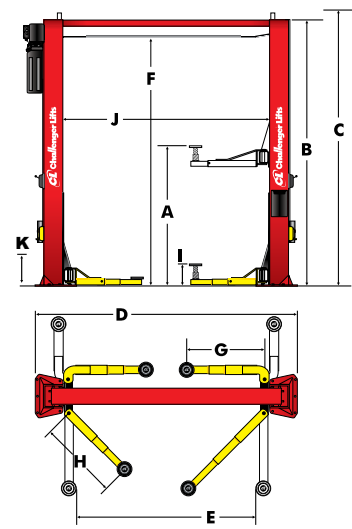
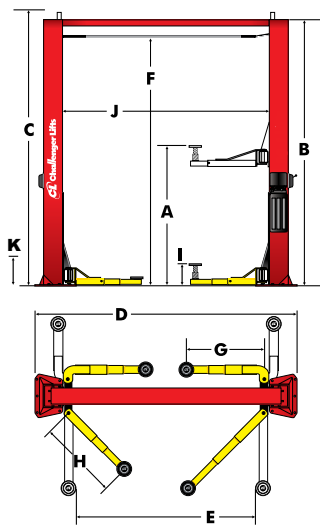


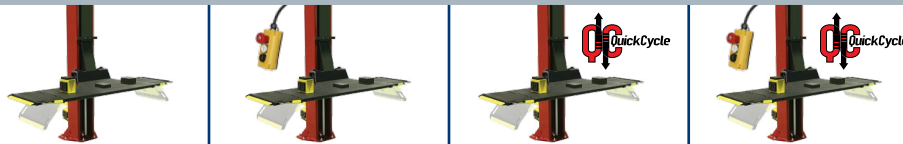
**Part #10315**  
10315 Stack Adapter kit comes standard with CL10V3-DPC models (Optional accessory)



**Part #B10264A**  
Increase productivity with air supply and electric outlets on the lift column.  

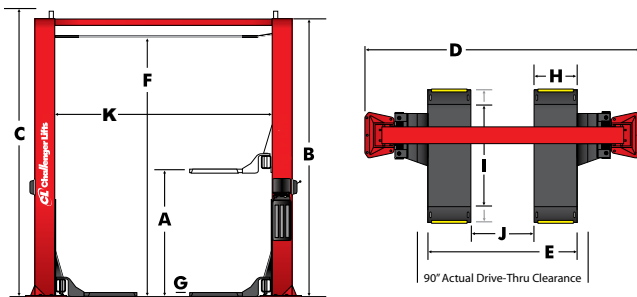
- Convenient power source for extension lights and other tools
- Air supply will always be at arms reach for facilities using impact wrenches





Model Number	CL10-XP9	CL10-XP9-DPC	CL10-XP9-QC	CL10-XP9-DPC-QC
Lifting Capacity	9,000 lb. (4082kg)			
<b>A</b> Rise Height	70" (1778mm)			
<b>B</b> Column Height	Standard 11' 8" (3556mm)   2' Ext. 13' 8" (4166mm)   3' Ext. 14' 8" (4470mm)			
<b>C</b> Cylinder Overall (Full Stroke)	11' 11" (3632mm)			
<b>D</b> Width Overall	11' 6 1/2" (3518mm)			
<b>E</b> Drive-Thru Clearance	79 1/2" (2019mm)			
<b>F</b> Floor to Overhead Switch	Standard 134 1/2" (3416mm)   2' Ext. 158 1/2" (4026mm)   3' Ext. 170 1/2" (4331mm)			
<b>G</b> Platform Height	2 1/4" (57mm)			
<b>H</b> Platform Width	24" (610mm)			
<b>I</b> Platform Length*	56" (1422mm) / 68" (1727mm) / 80" (2032mm)			
<b>J</b> Width Between Platforms	31 1/2" (800mm)			
<b>K</b> Inside of Columns	110" (2794mm)			
Motor	2HP	2HP	3HP	3HP
Voltage	208v-230v (Single Phase Std.) <sup>1</sup>			
Speed of Rise	48 Seconds	48 Seconds	27 Sec. (approximate)	27 Sec. (approximate)
Max. Load Per Platform	4,500 lb. (2041kg)			
Ceiling Height Required	Standard 12' (3658mm)   2' Ext. 13' 9" (4191mm)   3' Ext. 14' 9" (4496mm)			

Platform Superstructure specifications are based on CL10 lift installed at 110" width. \* Three different platform lengths represent having (0) ramps, (1) ramp, or (2) ramps flipped up to extend platform length. <sup>1</sup> Optional 3 phase electrical also available, please specify at time of order.



For more information, contact your Authorized Challenger Lifts Distributor:



The Automotive Lift Institute (ALI) certifies that the CL10 series described herein complies with the applicable provisions of the American National Standards ANSI/ALI ALCTV 2011 and is Third Party Validated by the ETL Testing Laboratory.



Challenger Lifts, Inc. reserves the right to make changes to specifications without notice and without making changes retroactive. Unloading, installation and oil not included.

**CHALLENGER LIFTS, INC.**  
200 Cabel Street  
Louisville, Kentucky 40206

Phone Toll-Free: 800-648-5438  
502-625-0700  
Fax: 502-625-0711  
E-mail: sales@challengerslifts.com

## CL10V3 Features & Benefits:

- Exclusive **Versymmetric® Technology** provides a versatile **2 Lifts in One™** Design to safely lift vehicles symmetrically or asymmetrically within the same service bay
- Standard offset arm design provides **directSPOT™** to vehicle's front lifting points for built-in productivity
- Double telescoping screw pads adjust from 4-7/8" to 6-3/8" reducing the need for adapters
- Rubber door guards protect vehicles from door damage when accessing driver controls
- 11' 8" standard height allows lift to be placed in standard service bay with 12' ceiling
- Single-point mechanical lock release system allows technician to disengage both column locks simultaneously
- 48" elongated carriage design decreases load on bearing
- Adjustable arm restraint shafts compensate for uneven floors
- Grease fittings located on arm pin bushings minimize corrosion to keep arms swinging freely
- Heavy-Duty 5" diameter pulley and 5/16" cable reduces stress on equalization system and increases cable life
- Fully gusseted base plate design reduces column deflection
- Padded overhead shut off system prevents vehicle damage from being raised too high
- Available 2' and 3' column extensions enable technician to work at an ergonomic height when servicing taller vehicles
- Many accessories available - reference the Challenger Lifts 2-Post Accessories sheet for details



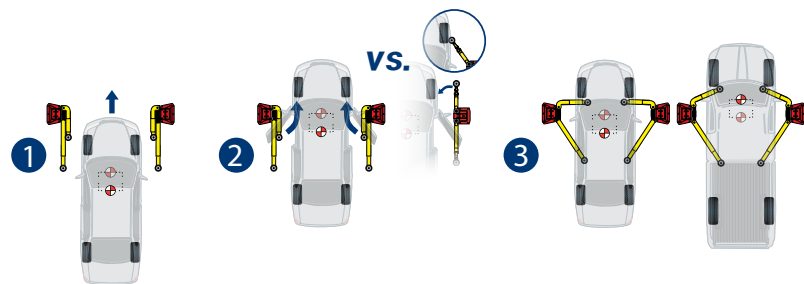
## Arm Configurations

### CL10V3 / CL10V3-DPC:

- » Industry first two post lift with **directSPOT™** offset 3-stage front arms **plus** 3-stage rear arms for single sweep spotting - eliminates the need of rolling vehicles back and forth to swing front arm clear of front tire
- » Maximum arm sweep, reach and retraction meets the widest range of recommended lifting points

## directSPOT™ is Built-in Productivity

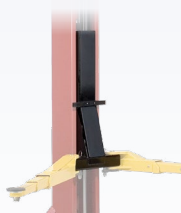
CL10series comes standard with offset 3-stage front arms allowing them to be stowed in an asymmetric lifting position, rear of the front tires. Unlike many competitor lifts, when the vehicle is driven through, the front arms are capable of **directSPOT™** to the vehicle's lifting point without having to reposition the vehicle or shuffle back and forth to reach its recommended lift points.



## Features



factory installed rubber door guard protection



48" carriage with (8) slide bearing blocks reduce stress



optional 2' or 3' column extensions for high profile vehicles



large 5" pulley diameter versus competition



double telescoping screw adjusts from 3-7/8" to 6-1/8" and has removable rubber pad



gusseted base plate requires a minimum of 4" reinforced concrete at 3500 psi

## CL10-XP9 Express Service Lift

9,000 lb. capacity drive-on style two post pad lift features flip-up ramps mounted on our CL10series two post automotive lift. Comes standard with (4) 1-1/2" and (4) 3" rubber spotting blocks and (4) two position adapter blocks.

Our quick vehicle spotting solution is perfect for express service requirements such as quick lube applications, tire rotations, tire balancing, brake work, inspection check lanes and any other general service need where productivity is essential.

Quick Cycle options available for express service applications to increase the rise and descent speed of our new CL10-XP9 drive-on two post pad lift.

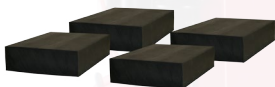
### CL10-XP9 Features & Benefits:

- Drive-on style pad provides quick vehicle spotting for express bays
- Low profile pad design allows extra clearance for low profile vehicles
- Reinforced front and rear access ramps are designed to easily flip up and lock to extend the platform to accommodate longer wheelbase vehicles.
- Standard column mounted spotting block storage caddy helps keep a safe and clean work environment.
- Optional Tire Hanger Kit allows tires to be stowed at an ergonomic height without the need of bending over during tire rotations. Front tires can be stored on the column mounted hanger rod while the rear tires can be stored on the pad mounted hanger rod resulting in less technician spinal stress.

### Standard Adapters



(4) two position adapter blocks



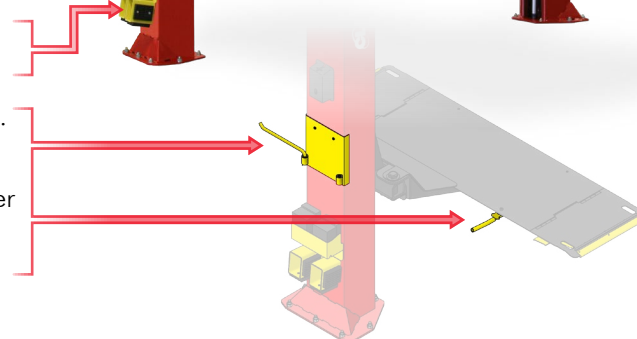
(4) 1-1/2" rubber spotting blocks



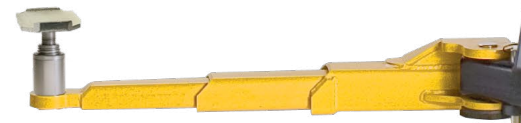
(4) 3" rubber spotting blocks

# Express Service

LIFTING SOLUTIONS



## Perfect for Quick Service and Express Applications!



## Color Match

Standard colors available for CL10series two post lifts are Red, Blue, and Black. Custom colors available, contact factory for more details.

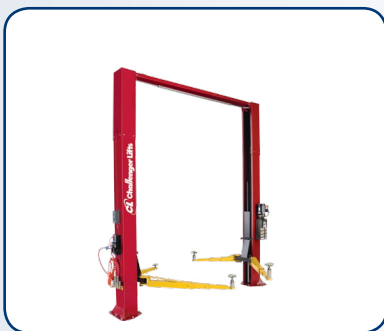


## Your Lift Your Way!

Determine your column height

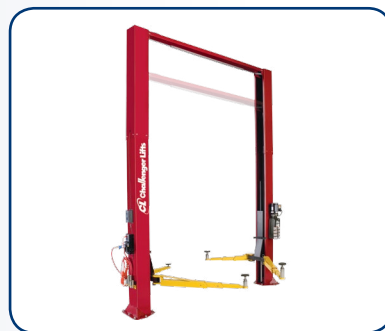
### Standard Column Height:

Standard column height at 11' 8" allows lift to be placed in standard service bay with 12' ceiling



### Extended Column Height:

2' column extended height option at 13' 8"  
3' column extended height option at 14' 8"



Choose your power controls

### Conventional Controls:

- » Single push button powers lift up
- » Two handed lowering operation - single point mechanical lock release system disengages both column locks simultaneously

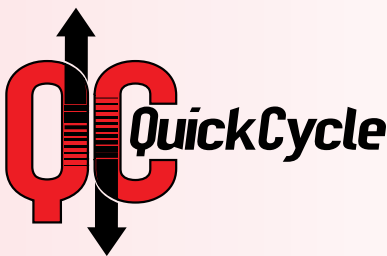


### CL10V3-DPC:

- » Dual pendant power controls expedites vehicle spotting by providing an unobstructed view to lifting points
- » Up/Down power button + dual single-point technical lock release system provides lift operation from either column
- » OSHA compliant keyed lockout safety button



How fast?



### Quick Cycle Technology:

Increased rise of speed to **27 seconds** from 48 seconds equating to a 42% time savings.  
Lowering speed is held to a constant **17 seconds** (approximately) regardless of the weight of the vehicle.

**2X**  
**FASTER** than standard models

Arms or Pads?

### 3-Stage Arms:

Industry first two post lift with **directSPOT™** offset 3-stage front arms & 3-stage rear arms for single sweep spotting



### Drive-on Pad:

Low profile drive-on style pad provides quick vehicle spotting for express bays.



post lifts  
able,