

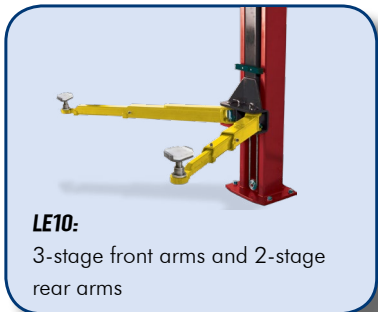
CL Challenger Lifts



Model#: LE10

Symmetric/ Asymmetric 2-Post Lift
Lift cars, truck, or SUV's in the same bay!
10,000 lb. capacity

LE-10



LE10:
3-stage front arms and 2-stage rear arms

The LE10 (10,000 lb. capacity) two post lift features Challenger's innovative 3-stage front arms and 2-stage rear arms, provide technicians with the versatility to lift vehicles both symmetrically and asymmetrically within the same service bay, increasing efficiency and potential revenue.

With double telescoping screw pads, durable powder coat finish, plated arm restraints and pins the LE10 will accommodate the rigorous demands of a full service facility. Raise it even higher with optional column height extensions which will provide an additional 2' overhead clearance. Available in red or blue.

Features & Benefits:

- 3-stage front arms and 2-stage rear arms provide a wide arm sweep for:
 - Asymmetric or Symmetric lifting in the same service bay
 - Uni-body design vehicles
 - Vehicles with designated outside lift points
 - Wider vehicles
 - Low profile vehicles
 - Both short and long wheelbases
- 11' 11-7/8" standard height fits in service bay with 12' ceiling height
- Double Telescoping Screw Pads with rubber foot pads.
- Padded overhead shut off system prevents vehicle damage
- Jacketed pulley-less single-point mechanical lock release system that was once exclusive to our CL Series lifts are now standard on the LE10.
- Rubber door guards protect vehicle from door damage
- Premium powder coat finish provides long-lasting durability
- Plated Arm Restraints and Arm Pins inhibit rust and provide long-lasting durability

Optional Accessories:

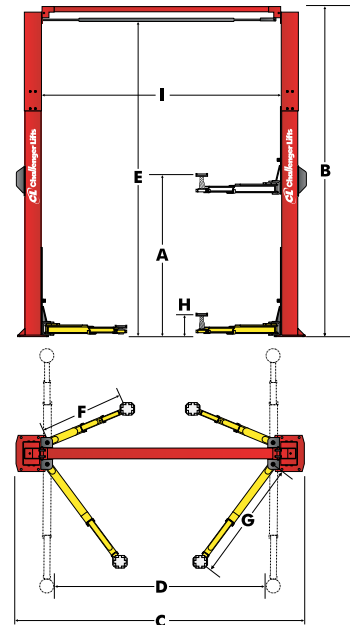


2' column height extensions accommodate higher profile vehicles



Air electric work station

Stack Adapter Kit includes:
 (4) 3" Stack Extensions
 (2) 6" Stack Extensions
 (2) Organizer Racks



Model Number	LE10	with LE10EH2** column height extensions
Lifting Capacity*	10,000 lb. (4536kg)	
A Rise Height ¹	74 ³ / ₄ " (1899mm)	
B Overall Height	11' 11 ⁷ / ₈ " (3655mm)	13' 11 ⁷ / ₈ " (4264mm)
C Overall Width	10' 11 ³ / ₄ " (3347mm)	
D Drive-thru Clearance	98 ³ / ₈ " (2499mm)	
E Floor to Overhead Switch	137" (3482mm)	161" (4092mm)
F Arm Reach (Min.)	Front Arm 21 ³ / ₄ " (553mm) - Rear Arm 38 ³ / ₄ " (971mm)	
G Arm Reach (Max.)	Front Arm 39 ¹ / ₄ " (998mm) - Rear Arm 55 ³ / ₈ " (1407mm)	
H Adj. Screw Pad Height	4 ¹ / ₂ " - 6 ³ / ₄ " (108 - 172mm) ²	
Adj. Adapter Height (with 3" Extensions and Screw Pad)	7 ¹ / ₂ " - 9 ³ / ₄ " (181 - 235mm)	
Adj. Adapter Height (with 6" Extensions and Screw Pad)	10 ¹ / ₂ " - 12 ³ / ₄ " (257 - 311mm)	
I Inside of Columns	110 ¹ / ₄ " (2800mm)	
Motor	2HP, Single Phase, 60Hz	
Voltage	208 - 230v	
Speed of Rise	50 Seconds	
Max. Load Per Arm	2,500 lb. (1134kg)	
Ceiling Height Required	12' (3658mm)	14' (4268mm)

*Lift capacity ratings are based on loads equally distributed on all four arms.

¹ Rise height measured with telescoping screw pad in highest position.

** Specifications are for Lift Model LE10 with optional accessory LE10EH2 column height extensions (Must order both LE10 and LE10EH2 for new lift purchase or LE10EH2 for addition of 2' height extension to an existing lift.

² Specifications are listed without rubber pad, for measurements with rubber pad add 1/4" (6mm).

[†] Frame engaging adapters (10314 or 10318) are REQUIRED when lifting vehicles with frame construction.

For more information, contact your Authorized Challenger Lifts Distributor:

The Automotive Lift Institute (ALI) certifies that the LE10 described herein complies with the applicable provisions of the American National Standards ANSI/ALI ALCIV 2011 and is Third Party Validated by the ETL Testing Laboratory.



AIAA
Automotive Aftermarket
Industry Association

CHALLENGER LIFTS, INC.
Louisville, Kentucky

Phone Toll-Free: 800-648-5438
502-625-0700

Fax: 502-625-0711
E-mail: sales@challengerslifts.com

Challenger Lifts, Inc. reserves the right to make changes to specifications without notice and without making changes retroactive. Unloading, installation and oil not included.